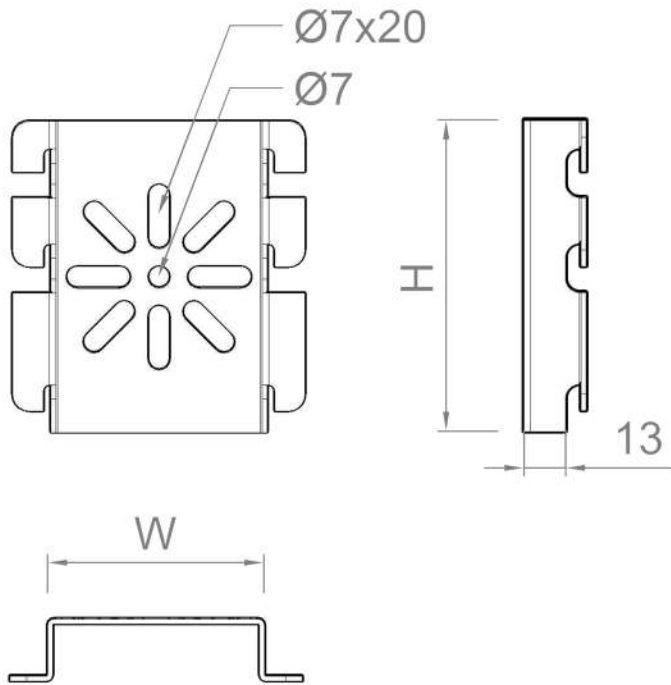


Derivation box EC100 DB100

Description: Quick installation accessory for junction boxes and the like.

Exclusive for the EC100 series of EASYCONNECT cable trays. No tools required for its installation. Once installed it can be easily removed and reused.



Ref. Code	H (mm)	W (mm)	Thickness (mm)	Weight (Kg/unit)
DB100SG	95	66	1,5	0,110

Suffix Code

Description of Coating / Material



Sendzimir Galvanized, also called Pre-Galvanized.
Corrosion Resistance: Classified 3 according to IEC 61537.



Austenitic Stainless Steel AISI 304 or AISI 316L.
Corrosion Resistance: Classified 9D according to IEC 61537.

