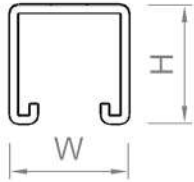


Profiles C41 and C21

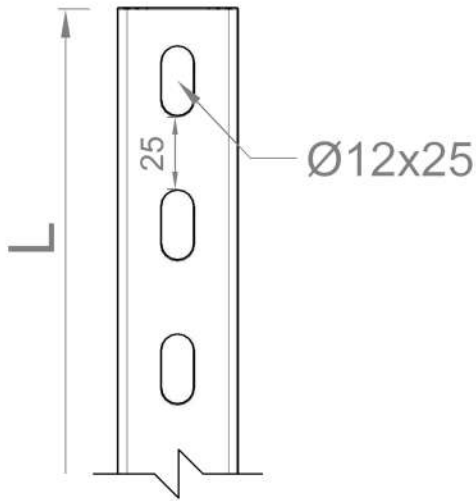
Description: Profiles C41 and C21 of great resistance and load capacity.

The use of guide plates (ref. PGM) is recommended to fix supports to the profile, to facilitate screwing and increase the firmness of the fixation.

For direct fixing of the EASYCONNECT cable tray to the profile, the use of ref. ECKBT or CFR41 is recommended depending on the characteristics of the installation.



Ref. Code	H (mm)	W (mm)	L (mm)	Thickness (mm)	Weight (Kg/unit)
P4141SG	41	41	3000	2,5	7,659
P4121SG	21	41	3000	2,5	5,304



Suffix Code

Description of Coating / Material

- SG** Sendzimir Galvanized, also called Pre-Galvanized. Corrosion Resistance: Classified 3 according to IEC 61537.
- IN** Austenitic Stainless Steel AISI 304 or AISI 316L. Corrosion Resistance: Classified 9D according to IEC 61537.

