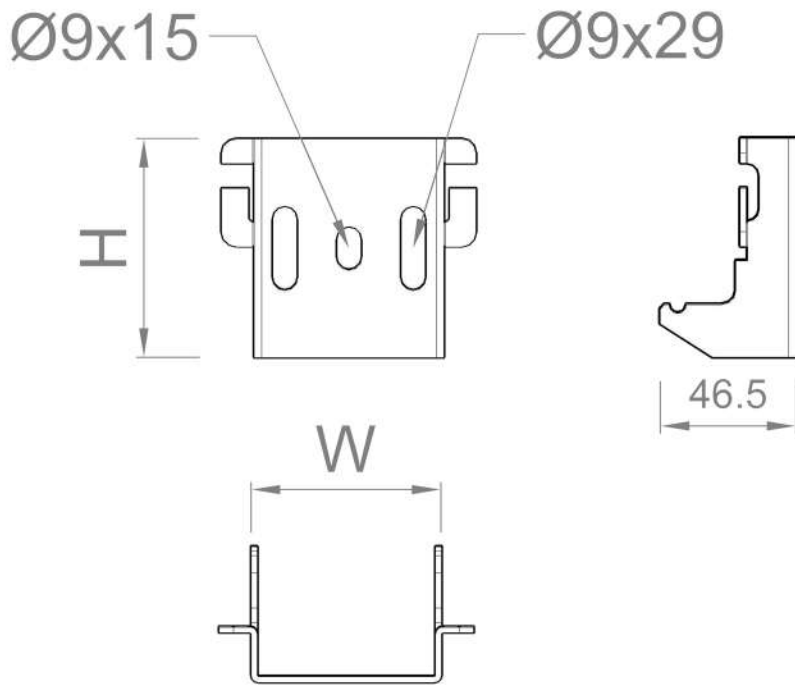


Wall support EC30 PS30

Description: Wall bracket for the EC30 range of EASYCONNECT cable trays.

The side rod of the tray is inserted into the front tabs, to then push the support against the cable tray until the wire at the base is engaged in the notches of the support.



Ref. Code	H (mm)	W (mm)	Thickness (mm)	Weight (Kg/unit)
PS30SG	75	64	2	0,118

Suffix Code

Description of Coating / Material

SG	Sendzimir Galvanized, also called Pre-Galvanized. Corrosion Resistance: <u>Classified 3</u> according to IEC 61537.
ZF	Dip-spinning Non-electrolytic Zinc Flake Coating. Corrosion Resistance: <u>Classified 8</u> according to IEC 61537.
IN	Austenitic Stainless Steel AISI 304 or AISI 316L. Corrosion Resistance: <u>Classified 9D</u> according to IEC 61537.

