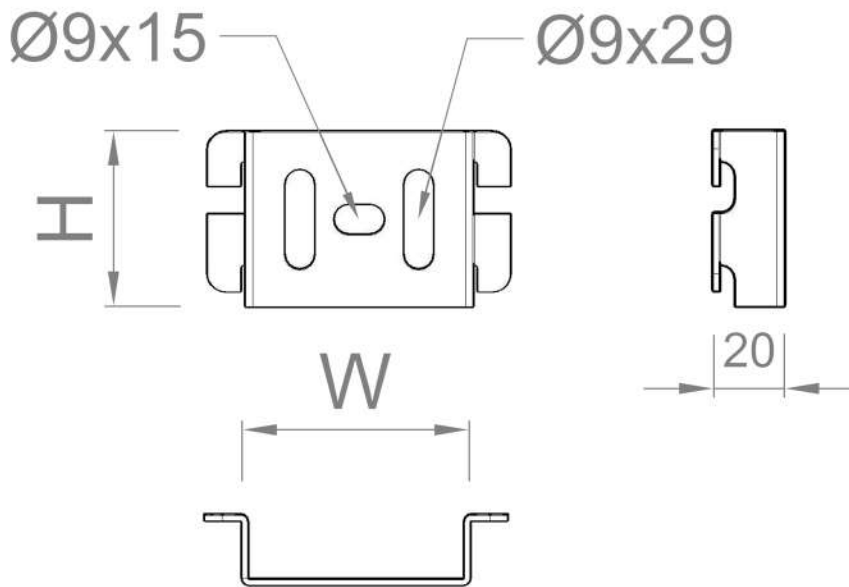


# Wall support derivation box PS60

**Description:** Wall bracket for the EC60 range of EASYCONNECT cable trays.

Its design allows it to be used either as a support or as an accessory to fix junction boxes depending on the position in which it is placed. The side wire of the tray is inserted into the front tabs.



Ref. Code	H (mm)	W (mm)	Thickness (mm)	Weight (Kg/unit)
PS60SG	50	65	1,5	0,055

Suffix Code

Description of Coating / Material

SG	Sendzimir Galvanized, also called Pre-Galvanized. Corrosion Resistance: <u>Classified 3</u> according to IEC 61537.
ZF	Dip-spinning Non-electrolytic Zinc Flake Coating. Corrosion Resistance: <u>Classified 8</u> according to IEC 61537.
IN	Austenitic Stainless Steel AISI 304 or AISI 316L. Corrosion Resistance: <u>Classified 9D</u> according to IEC 61537.

