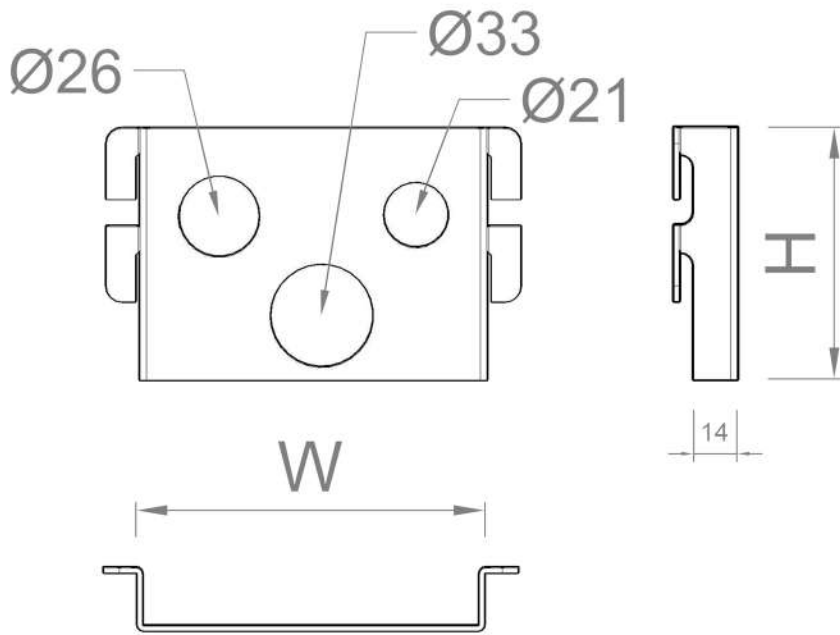


# Tube drop-out plate ST

**Description:** Conduit Lay-Out plate with three perforations for the most common diameters of conduit.

This element is quickly installed by inserting the side wire of the EASYCONNECT cable tray into the front tabs of the element. It can be easily removed and reused.



Ref. Code	H (mm)	W (mm)	Thickness (mm)	Weight (Kg/unit)
STSG	80	110	1,5	0,118

Suffix Code

Description of Coating / Material

SG

Sendzimir Galvanized, also called Pre-Galvanized.  
Corrosion Resistance: Classified 3 according to IEC 61537.

IN

Austenitic Stainless Steel AISI 304 or AISI 316L.  
Corrosion Resistance: Classified 9D according to IEC 61537.

