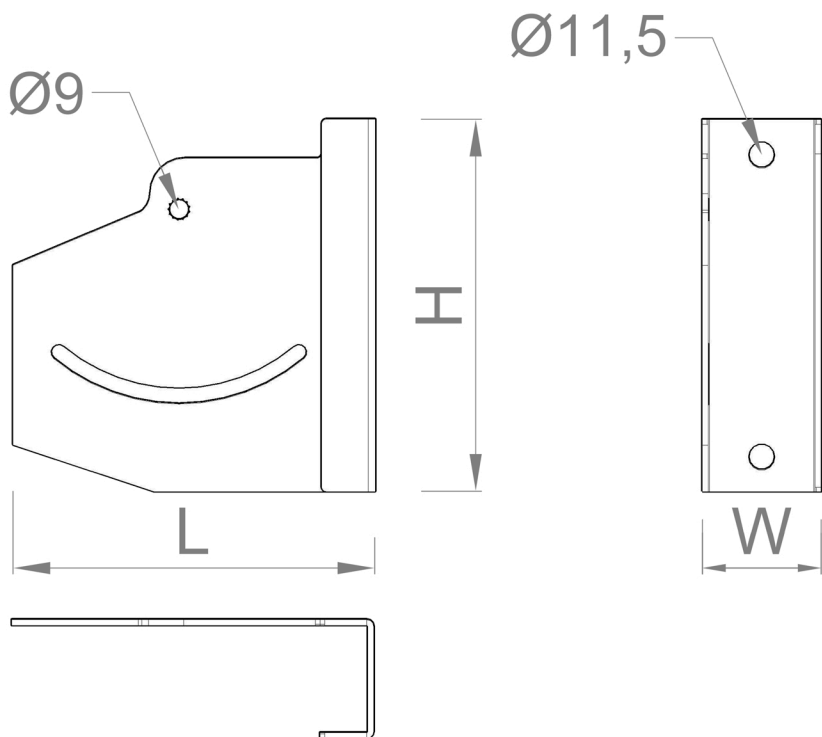


Adjustable kit for reinforced bracket SE

Description: Adjustable kit made of steel and designed exclusively for the using with a reinforced wall bracket (SE100-600).

This adjustable kit allows to maintain the horizontal position of the cable trays installed on vaulted walls. A lateral perforation allows to adjust the inclination of the support using a screw and nut.



Kit Components	Units	Compatibility	
		BS Ref.	SE Ref.
BS1/BS2/BS3	1	BS1	SE100 / SE150 / SE200
Screw M6x20	2	BS2	SE300 / SE400
Nut M6	2	BS3	SE500 / SE600

Ref. Code	H (mm)	W (mm)	L (mm)	Thickness (mm)	Weight (Kg/unit)
BS1SG	120	50	105	2	0,294
BS2SG	160	50	155	2,5	0,604
BS3SG	190	50	195	3	1,014

Suffix Code	Description of Coating / Material
SG	Senzimir Galvanized, also called Pre-Galvanized. Corrosion Resistance: <u>Classified 3</u> according to IEC 61537.
IN	Austenitic Stainless Steel AISI 304 or AISI 316L. Corrosion Resistance: <u>Classified 9D</u> according to IEC 61537.

* Ask us for other available coatings

