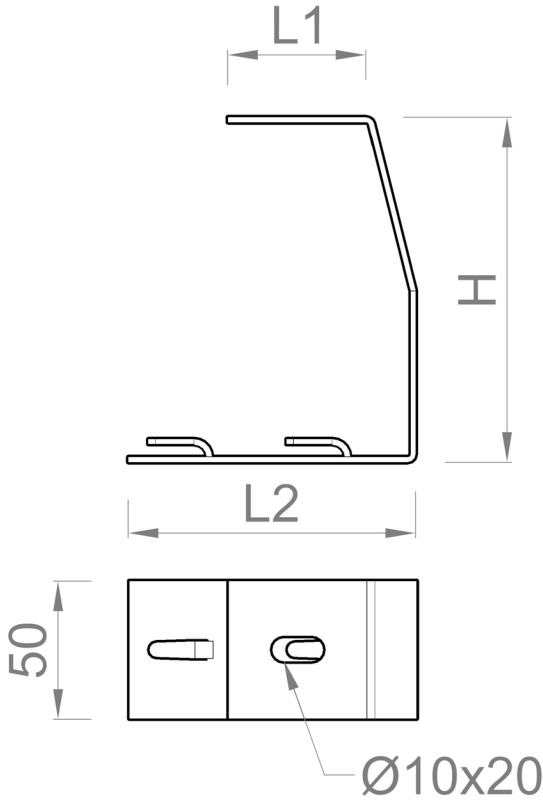


Overhead hanger clic OHC 60-150

Description: Ceiling bracket for installation with a threaded rod (ref. VR & TVR).

The base of the stand has two tabs that allow you to quickly and firmly attach the EASYCONNECT cable tray without the need for additional accessories.



Ref. Code	H (mm)	L1 (mm)	L2 (mm)	Thickness (mm)	Weight (Kg/unit)
OHC060SG*	125	53	83	2	0,194
OHC100SG	125	53	104	2	0,209
OHC150SG	125	53	154	2	0,247

NOTE: This product is not suitable for cable tray EC60.060 - nor any of its coating types.

Suffix Code	Description of Coating / Material
SG	Sendzimir Galvanized, also called Pre-Galvanized. Corrosion Resistance: <u>Classified 3</u> according to IEC 61537.
IN	Austenitic Stainless Steel AISI 304 or AISI 316L. Corrosion Resistance: <u>Classified 9D</u> according to IEC 61537.

* Ask us for other available coatings

