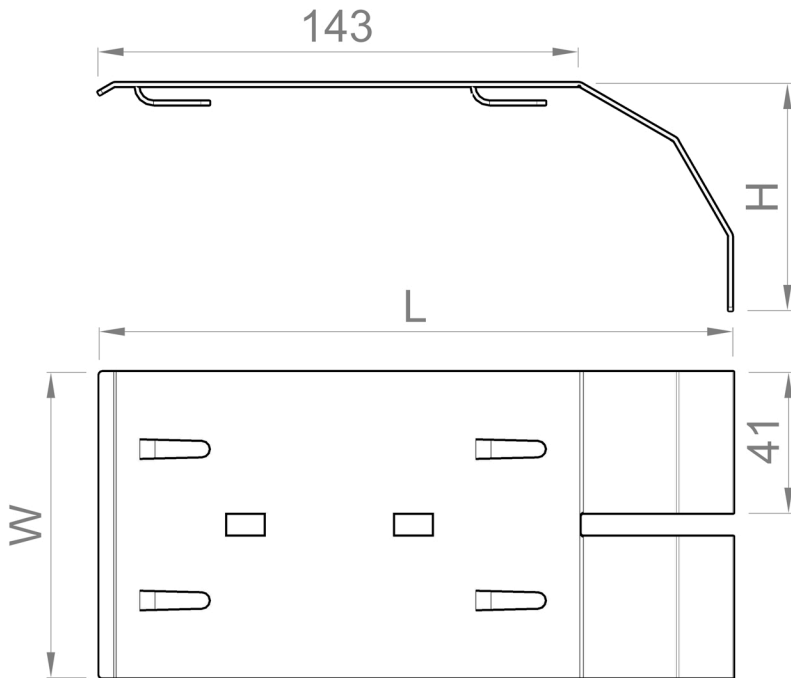


Metal longitudinal cable drop-out plate SCLM

Description: Cable drop-out accessory to be used for longitudinal dropouts, designed with the optimum bend radius for fiber optic cables.



Ref. Code	H (mm)	W (mm)	L (mm)	Thickness (mm)	Weight (Kg/unit)
SCLMSG	68	91	189	1	0,160

NOTE: This product is not suitable for cable trays EC30.060; EC30.100; EC60.060; EC60.100; EC60.060-6W; EC100.100; EC100.150; EC150.150 - nor any of its coating types.

Suffix Code	Description of Coating / Material
SG	Sendzimir Galvanized, also called Pre-Galvanized. Corrosion Resistance: <u>Classified 3</u> according to IEC 61537.
IN	Austenitic Stainless Steel AISI 304 or AISI 316L. Corrosion Resistance: <u>Classified 9D</u> according to IEC 61537.

