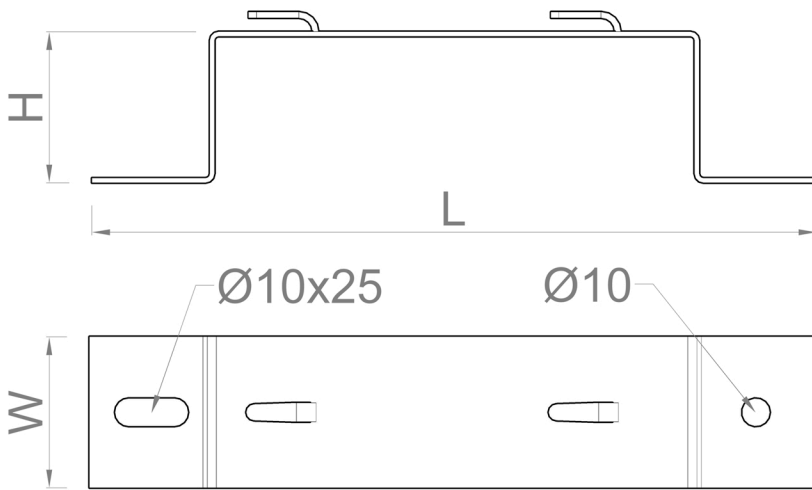


Spacer ground support SD 60-600

Description: Spacer bracket for floor installations or wall installations with the EASYCONNECT cable tray in vertical position. It has two clamps to firmly hold the wires at the base of the cable tray.

The support must be fixed to the wall or floor using screws and the holes located at both ends.



Ref. Code	H (mm)	W (mm)	L (mm)	Thickness (mm)	Weight (Kg/unit)
SD60SG *1	50	60	164	2	0.238
SD100SG	50	50	190	2	0.218
SD150SG *2	50	50	240	2	0.258
SD200SG	50	50	290	2	0.296
SD300SG	50	50	390	2	0.375
SD400SG	50	50	490	2	0.453
SD500SG	50	50	590	2	0.532
SD600SG	50	50	690	2	0.610

*1 This product is not suitable for cable tray EC60.060 - nor any of its coating types.

*2 Not compatible with EC100.150. There is a suitable version of this support, please check availability.

Suffix Code

Description of Coating / Material

SG	Senzimir Galvanized, also called Pre-Galvanized. Corrosion Resistance: <u>Classified 3</u> according to IEC 61537.
IN	Austenitic Stainless Steel AISI 304 or AISI 316L. Corrosion Resistance: <u>Classified 9D</u> according to IEC 61537.

* Ask us for other available coatings

