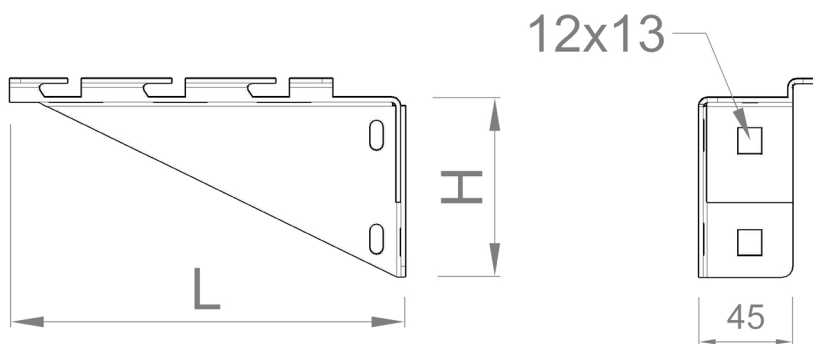


Reinforced fast support for wall clic SE 100-600

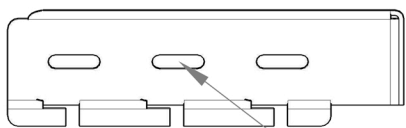
Description: Reinforced wall bracket designed to withstand high loads. It has tabs that, like a clamp, allow all the rods to be fixed at the base of the cable tray.

To bend the tabs it is recommended to use a screwdriver as a lever or any other appropriately sized tool. The vertical plane of the bracket has holes to house the screws that will fix the bracket to the wall.



Ref. Code	H (mm)	L (mm)	Thickness (mm)	Weight (Kg/unit)
SE100SG	86	141	2	0,263
SE150SG	86	190	2	0,338
SE200SG	86	241	2	0,413
SE300SG	111	341	2	0,640
SE400SG	121	441	2	0,940
SE500SG	162	541	2	1,356
SE600SG	159	641	2	1,521

NOTE: This product is not suitable for cable trays EC30.060; EC60.060; EC60.060-6W - nor any of its coating types.



Ø7x25.5

Suffix Code

Description of Coating / Material

SG

Sendzimir Galvanized, also called Pre-Galvanized. Corrosion Resistance: Classified 3 according to IEC 61537.

IN

Austenitic Stainless Steel AISI 304 or AISI 316L. Corrosion Resistance: Classified 9D according to IEC 61537.

* Ask us for other available coatings

