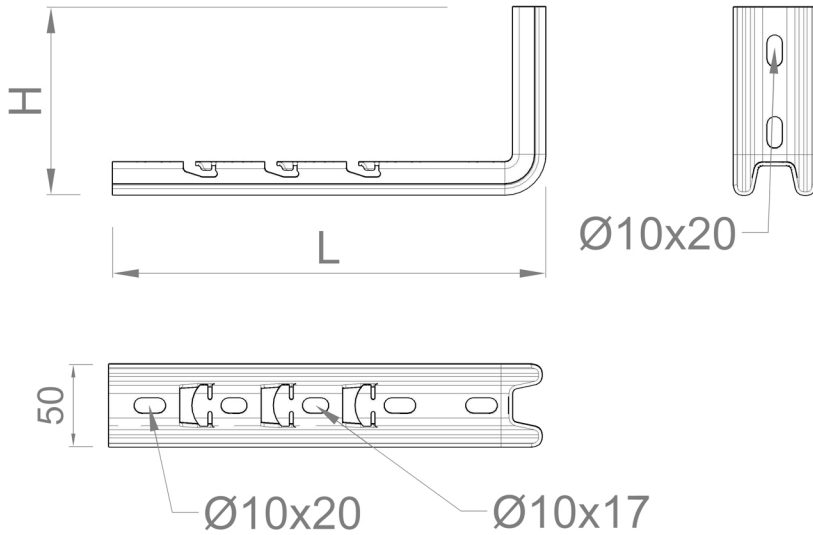


Clic omega support for wall SOC 10-40

Description: Omega type bracket for wall installations. To fasten this bracket to a wall, it is recommended to use the bracket stop accessory (ref. ENT) to facilitate screwing and strengthen the fixation.

The bracket can also be fixed to the ceiling using a threaded rod (ref. VR & TVR), inserting it into the hole located at the end of the support.



Ref. Code	H (mm)	L (mm)	Thickness (mm)	Weight (Kg/unit)
SOC10SG	115	215	2	0,342
SOC15SG	115	265	2	0,395
SOC20SG	115	315	2	0,447
SOC30SG	115	415	2	0,554
SOC40SG	115	515	2	0,660

NOTE: This product is not suitable for cable trays EC30.060; EC60.060; EC60.060-6W - nor any of its coating types.

Suffix Code

Description of Coating / Material

SG	Sendzimir Galvanized, also called Pre-Galvanized. Corrosion Resistance: <u>Classified 3</u> according to IEC 61537.
IN	Austenitic Stainless Steel AISI 304 or AISI 316L. Corrosion Resistance: <u>Classified 9D</u> according to IEC 61537.

* Ask us for other available coatings

